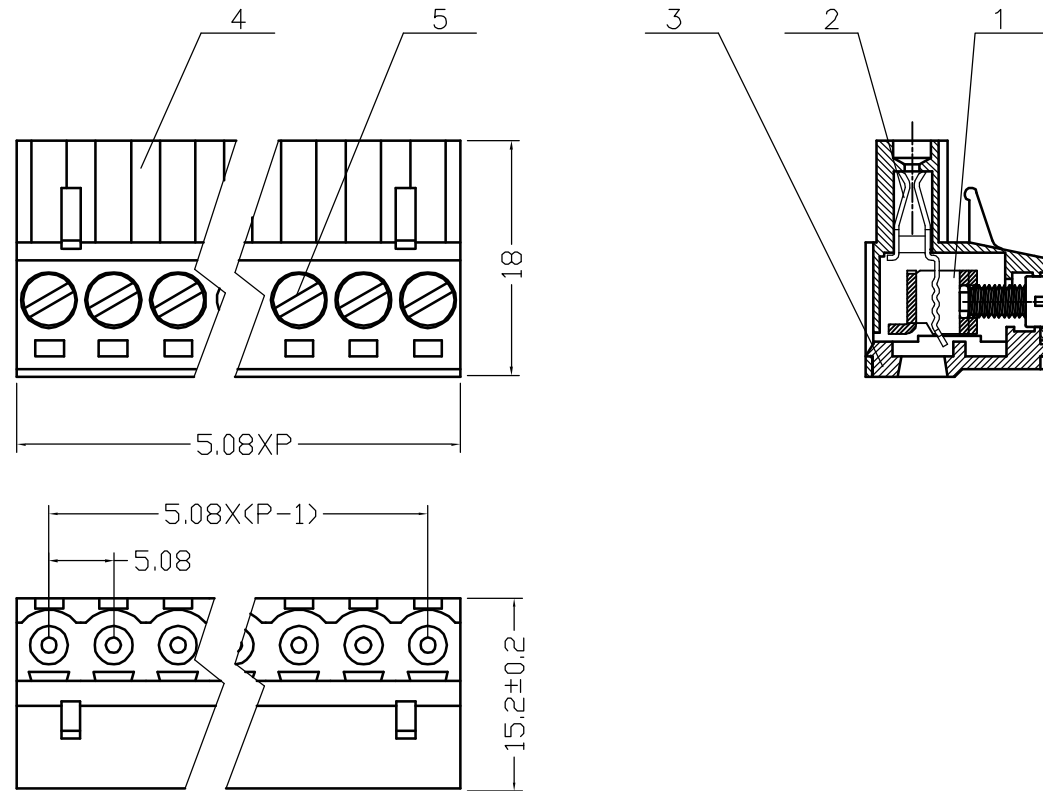


序号/RevNo.	名称/Title	文件编号/File No.
1	XY2500F 铁方块	
2	XY2500F 端子	
3	XY2500F-B 塑件后塞	
4	XY2500F-B 塑件	
5	XY103 螺丝	



250V 12A 2.5mm²

Poles: 2P-24P

Pitch: 5.08mm±0.16mm

Materials

Housing: Polyamide 6.6, Green

Clamp: Phosphor Bronze, 0.4t, Tin Plated

Wire Cage: Steel, 0.7t, Zinc Plated

Screw: M. 5, Steel, Zinc Plated

设计/Designed by	绘图/Drawing by	审核/Checked by	批准/Approved by	未注公差 General Tolerance	
				x. ±0.2	x.° ±2°
		图名/Title	文件编号/File No.	.x ±0.1	.x° ±1°
		XY2500F-B	页序/Sheet	.xx ±0.05	.xx° ±0.5°
			备注/Remark	铁方块	.xxx ±0.01
				单位/Units: mm	

序号/RevNo.	更改记录/Revision note	签名/Signature	日期/Date