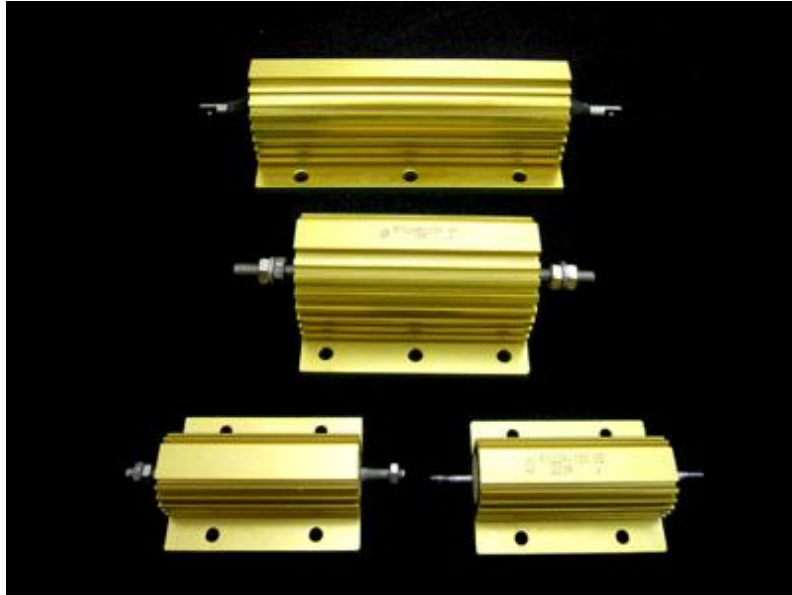
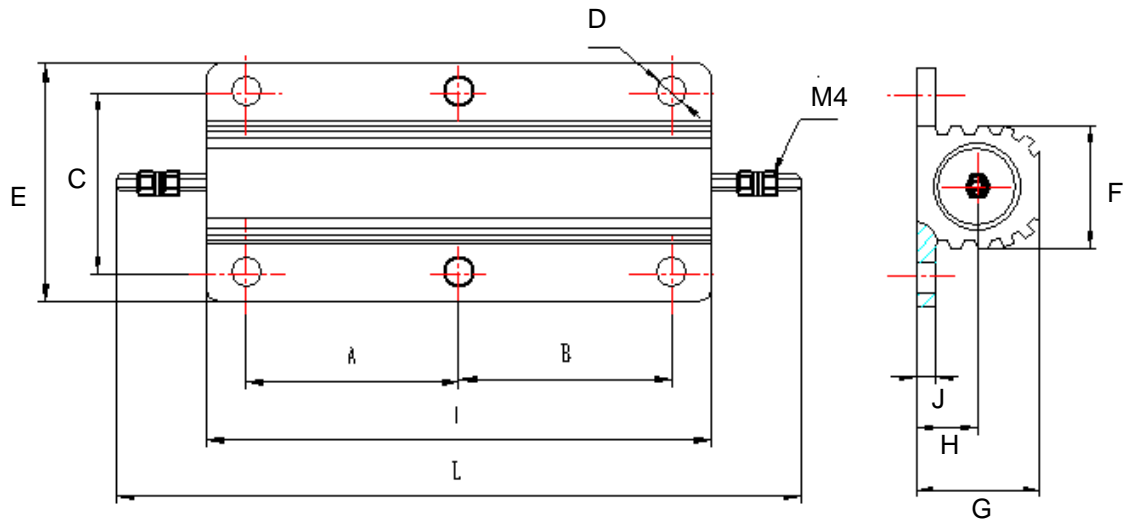


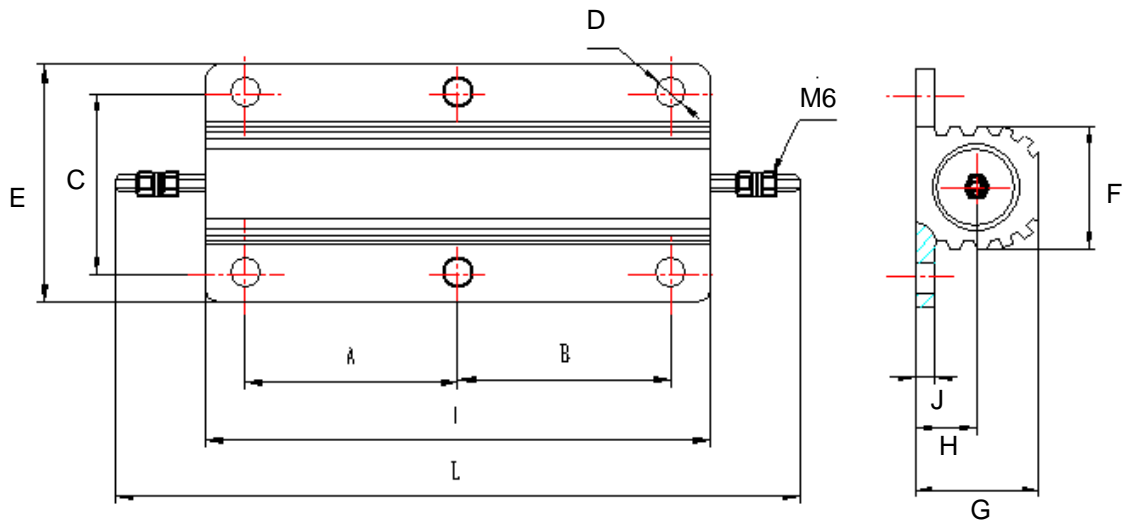
RXG24 High Power Aluminum Housed Wirewound Resistors



- With metal aluminum-housed heat sink, excellent temperature stability. Suitable for installation on the radiating board.
- Numerous lead wire options.
- Generally used in the direct current (DC) or the low frequency alternating current (AC) circuits, in the high frequency circuit can order non-inductive products.



Power (W)	Dimensions(mm)										
	L±3	l±1.5	A±0.5	B±0.5	C	D	E	F	G	H	J
150	171	136	55.0	55.0	37	5	48	27	26	11	3.5
200	183	155	63.0	-	37	5	48	27	26	11	3.5



Power (W)	Dimensions(mm)										
	L±3	l±1.5	A±0.5	B±0.5	C	D	E	F	G	H	J
300	165	128	52	52	58	5	72	46	44	21	4

The curve is suitable for installation on standard heat sink.

