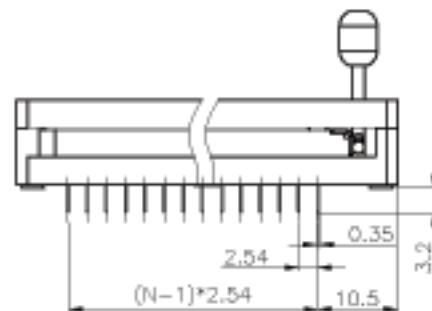
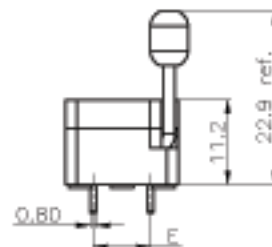
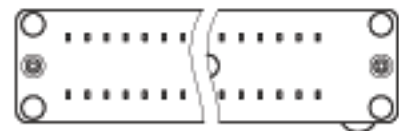


Positions	A	B	C	D	E
14	32.6	28.2			
16	35.1	30.7			
20	40.2	35.8	11.22	14.90	7.62
24	45.3	40.9			
28	50.4	46.0			
32	55.5	51.1			
40	65.6	61.2	18.84	22.52	15.24
48	75.8	71.4			



N=No. of contacts/2



REV.	DESCRIPTION	DRAWN	CHECKED	APPROVED
A	NEW RELEASE	DMJ 06/07/07'		

1. FEATURES

- 1.1. Compact mechanical construction to ensure long term life.
- 1.2. Zero insertion and extraction pressure.
- 1.3. standard 0.100(2.54mm) IC pitch, easy to mount in PC board.
- 1.4. All plastics are UL 94v-0 grade fire retardant.
- 1.5. Gold plated contact to ensure low contact resistance and long operation life.

2. SPECIFICATION

2.1. ELECTRICAL:

- 2.1.1. Rating:50VDC,100mA.
- 2.1.2. Contact Resistance: 50mΩ Max.
- 2.1.3. Insulation Resistance:1000MΩ Min.
- 2.1.4. Dielectric withstanding volatage:500VDC min. for 60 seconds.Capacitance between adjacent contacts.

2.2. MECHANICAL AND ENVIRONMENTAL

- 2.2.1. Temperature Rating:
- 2.2.2. Operating:-25℃ to +70℃
- 2.2.3. Storage:-40℃ to +85℃
- 2.2.4. Durability:5,000 cycles(with load)
- 2.2.5. Humidity:95%RH,40℃ for 48 Hrs.
- 2.2.6. Solderability:After flux 230℃ for 5±0.5 Seconds,95% coverage
- 2.2.7. Soldering Heat:260±5℃ for 5±1 Seconds.

3. PRODUCT NUMBER CODE:

DS1044 - X X X

- Housing color
 - L: Blue
 - B: Black
 - G: Green
- Contact plating
 - 6: Full Tin
 - F: Full 3u" gold
- No. of contacts
 - 14 16 20 24 28 32 40 48

GENERAL TOLERANCE		ANGLE TOLERANCE		PROJECTION	TITLE
X.	±0.60	X.	±5'	mm	ZIF SOCKET
.X	±0.38	.X	±3'		
.XX	±0.25	.XX	±2'		
DRAWING TYPE		CUSTOMER		SHEET SIZE	SERIES DS1044 SERIES
SCALE		1:1	SHEET	1 OF 1	
DRAWING NO.		C-DS1044-XXX			