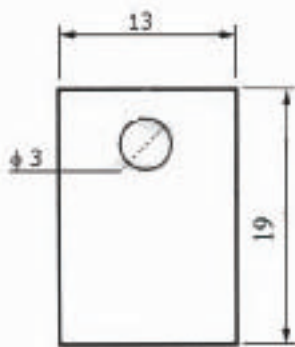


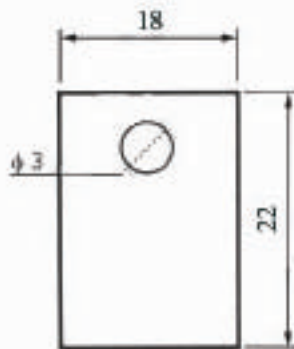
Specification:

- 1) Colour: Gray
- 2) Total Thickness: 0.5 ~ 1 mm
- 3) Material: Silicone
- 4) Continuous Use Temperature: $-60^{\circ}\text{C} \sim 180^{\circ}\text{C}$
- 5) Dielectric Breakdown Voltage: 6000 VAC

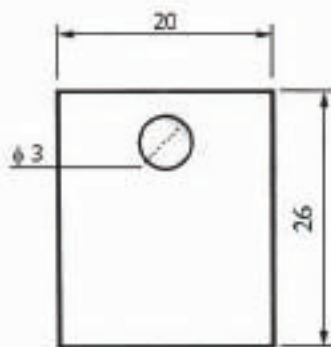
TO-220



TO-247



TO-218



TO-3

