

REV.	DESCRIPTION	DRAWN	CHECKED	APPROVED
A	NEW RELEASE	LL 07/18/06'		

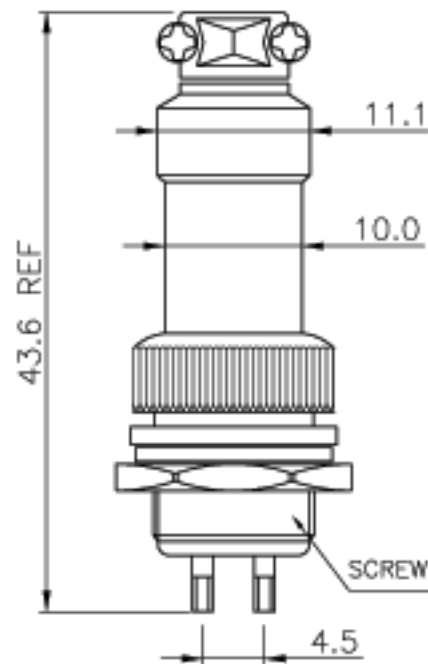
NOTES:

1.SPECIFICATION

- .CURRENT RATING: 5A Max.
- .DIELECTRIC WITH STANDING VOLTAGE: 500V(AC)
- .CONTACT RESISTANCE: 100mΩ Max.
- .INSULATION RESISTANCE: 1000MΩ(DC)Min

2.PRODUCT NUMBER CODE:

- X X X
- CONTACT PLATING
6: TIN
- COLOR OF HOUSING:
W: WHITE
B: BLACK
- No. OF CONTACTS
2: 2pin 3: 3pin
4: 4pin 5: 5pin
6: 6pin 7: 7pin
8: 8pin 9: 9pin



2 PIN



3 PIN



4 PIN



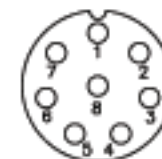
5 PIN



6 PIN



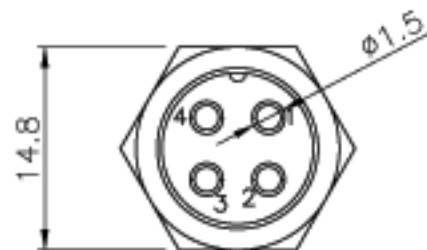
7 PIN



8 PIN



9 PIN



4 PIN

GENERAL TOLERANCE		ANGLE TOLERANCE		PROJECTION		TITLE	MICRO JACK CONNECTOR	
X.	±0.60	X.	±5'	UNITS	mm			
.X	±0.38	.X	±3'	SHEET SIZE	A4	SERIES	SERIES	
.XX	±0.25	.XX	±2'					
DRAWING TYPE		CUSTOMER						
SCALE		1:1	SHEET	1 OF 1				
DRAWING NO.		C-DS1110-01-XXX						