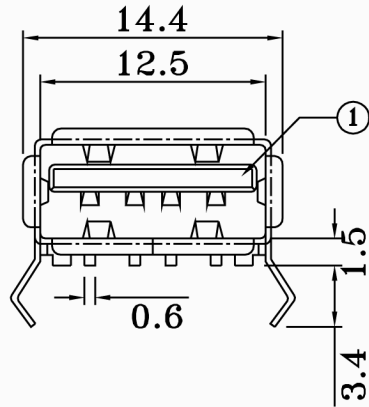
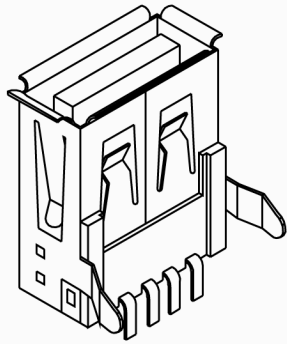
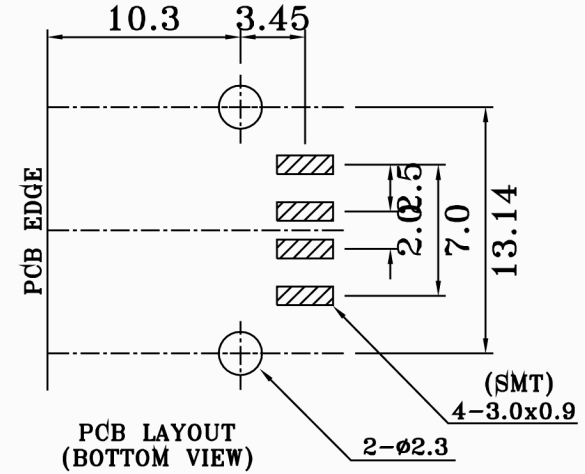
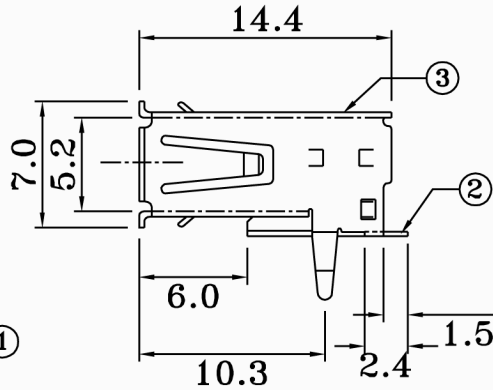


USB A TYPE,FEMALE,SINGLE DECK(SMT TYPE)



.....



NO.	NAME	MATERIAL	FINISH	REMARK	Q'TY
1	HOUSING	NYLON PA9T G.F.	WHITE		1
2	PIN TERM.	PHOS. BRONZE T:0.25	GOLD-TIN PLATED	Ni:1~1.5u;TIN:3u. GOLD:1~3u	4
3	SHELL	BRASS T:0.3	NICKEL PLATED	NI:2~3u	1

易昕企業有限公司

COMPUTER NO.			UNIT	SCALE	PART NAME					
			3210			mm	3:1	USB. TYPE A FLAT 90° SMT		
			APPD.	CKD.	DWG.	DATE	TOLERANCE	PART NO.	REV.	
MODEL	3210	PAGE 1 OF 1	AMY	03-04-15	±0.3	3210	A			