

SPECIFICATIONS

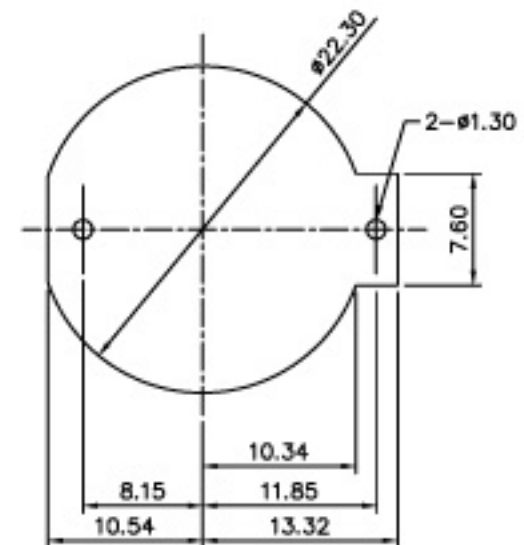
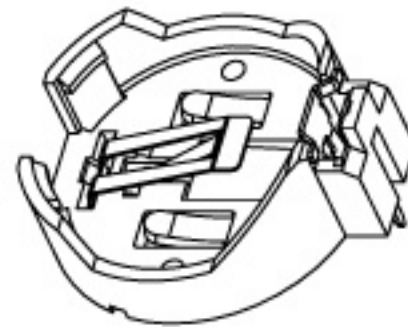
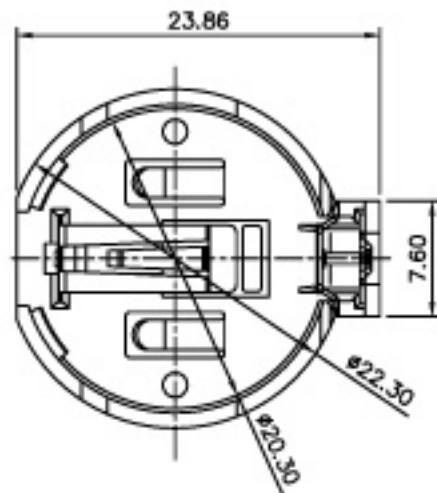
Housing: Thermoplastic, UL 94V-0, Black

Contact: Copper Alloy

50u" Min. Nickel Underplated

100u" Min. Tin On The Contact

RoHS Compliant

Recommended P.C.B. Layout